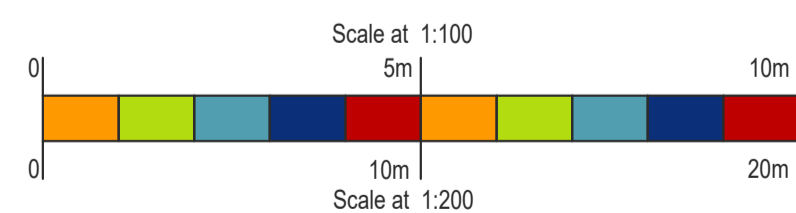
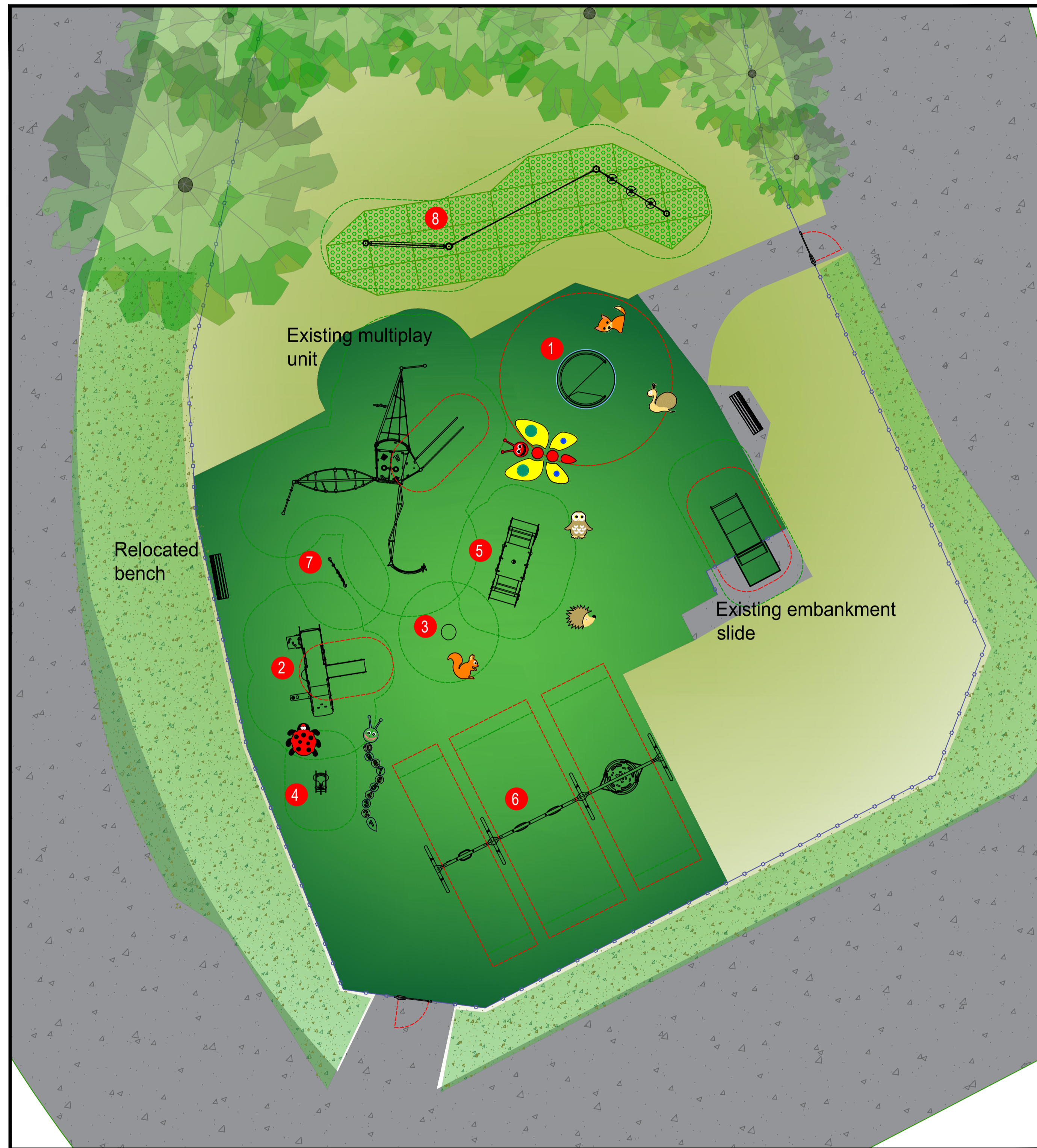


Lagonda Way Play Area

Dartford Borough Council



SURFACES	
Existing Grass	Grass Matting Safety Surface
EPDM Wetpour Green Safety Surface	Existing Hard Surfacing

Equipment



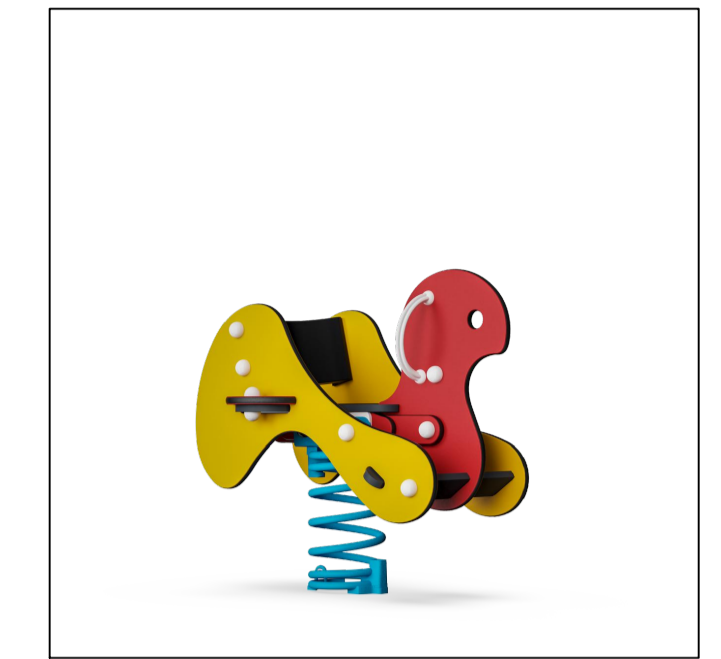
1 Wheelchair Carousel
 Ref: PCM157-xx01
 Fall Height: 100
 Total Height: 70
 Age Span: 2+
 Inclusive: Yes
 Count: 1



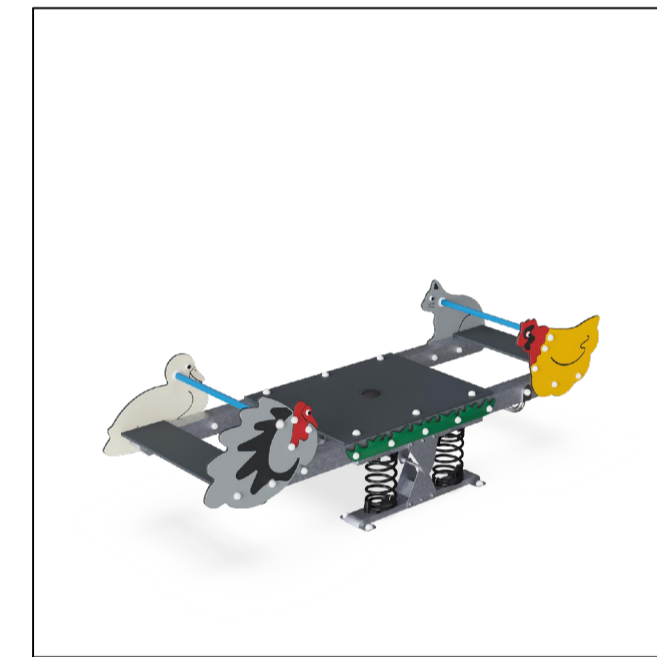
2 Double Toddlers Castle
 Ref: MSC542400-3417P
 Fall Height: 100
 Total Height: 149
 Age Span: 1+
 Inclusive: Yes
 Count: 1



3 Spinner Bowl
 Ref: ELE400024-xx17F
 Fall Height: 100
 Total Height: 60
 Age Span: 4+
 Inclusive: Yes
 Count: 1



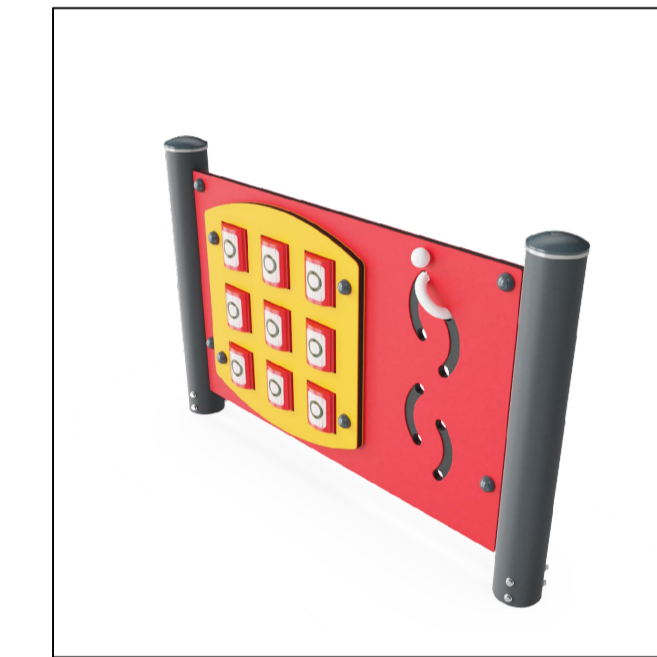
4 Crazy Gander
 Ref: M10670-xxP
 Fall Height: 60
 Total Height: 78
 Age Span: 1+
 Inclusive: Yes
 Count: 1



5 Fairytale Seesaw
 Ref: M17601-xxP
 Fall Height: 100
 Total Height: 99
 Age Span: 3+
 Inclusive: Yes
 Count: 1



6 Basket, Flat & Cradle Swing
 Ref: KSW925 - 20329410
 Fall Height: 145
 Total Height: 255
 Age Span: 1+
 Inclusive: Yes
 Count: 1



7 Noughts & Crosses Panel
 Ref: PCM000721 - 20329411
 Fall Height: n/a
 Total Height: 75
 Age Span: 1+
 Inclusive: Yes
 Count: 1



8 Baboon Trail
 Ref: CRP250301 - 20329412
 Fall Height: 98
 Total Height: 257
 Age Span: 6+
 Inclusive: No
 Count: 1



Flexotop Wetpour Graphics



Design assumes the site will be levelled by other (max. gradient 1:100), free draining and with good access
 Quotation and design is submitted site unseen, we reserve the right, following a full site survey to amend the design appropriately.
 Areas and dimensions shown are critical for compliance with European safety standards EN1176 & EN1177, if in doubt ask.
 Grass areas should be well established prior to grass mat safety surfacing being laid.

KOMPAN! Let's play

KOMPAN Ltd.
 Serenity House
 Furzton Lake
 Milton Keynes
 MK4 1GA

www.KOMPAN.co.uk
 T:01908 201002
 F:01908 201007
 E:KOMPAN.UK@KOMPAN.com

©Copyright of this drawing remains the property of KOMPAN Ltd. and the KOMPAN group. This drawing may not be reproduced without prior permission of KOMPAN Ltd. Any infringement will be pursued.

Project & Title	Lagonda Way		Designed by	A.B.	
Client	Dartford Borough Council	Date	03/01/2025	Scale	1:100
Drawing No.	CAS-361822-L1S9W55	Sheet	1 of 1	Revision	